

BUILT-IN DESIGN GUIDE



Contents

Built-In Design Options	4	Dispenser Specifications	22
Model Specifications	6	Side Panels	23
Planning Information	9	Dual Installations	24
Overlay Panels	12	Accessories	31
Flush Inset Panels	26	Full-Scale Templates	32

Features and specifications indicated herein and on our website are subject to change at any time without notice. Check our website, subzero.com, for the most up-to-date specifications.

SUB-ZERO® is a registered trademark of Sub-Zero, Inc.



Introducing New Built-In Refrigeration. Beginning in Fall, 2008, you will have a new line of built-in refrigeration to offer your clients. We have re-engineered—exterior and interior—our built-in product line to offer you the best in design options, and your clients the best in food preservation. The 600 series as you understand it now will be gone and the new offering will take its place. We will have new panel sizes, model numbers and many new features. Review this design guide for general specification information and keep coming back to the trade section of our website, subzerotrade.com, for new information during the coming months.

Model Numbers. The cross-reference chart below provides a listing of the new built-in model numbers and the existing 600 series model numbers they are replacing.

New Built-In Model	600 Series
ALL REFRIGERATOR / ALL FREEZER	
ICBBI-36R	601R
ICBBI-36RG	601RG
ICBBI-36F	601F
OVER-AND-UNDER	
ICBBI-30U	611
ICBBI-30UG	611G
ICBBI-36U	650
ICBBI-36UG	650G
SIDE-BY-SIDE	
ICBBI-36S	661
ICBBI-42S	642
ICBBI-42SD	685
ICBBI-48S	632
ICBBI-48SD	695
EXAMPLES	
ICBBI-30UG/O-RH	611G/O-RH
ICBBI-48SD/S	695/S

Model Number Key	
MODEL	ICBBI-36UG/S/PH-RH
PRODUCT TYPE	
WIDTH	
STYLE	
FEATURE	
DESIGN	
HANDLE	
DOOR SWING	
PRODUCT TYPE	Built-In Refrigeration BI
WIDTH	762 mm 30 914 mm 36 1067 mm 42 1219 mm 48
STYLE	All Refrigerator R All Freezer F Over-and-Under U Side-by-Side S
FEATURE	Glass Door G Ice and Water Dispenser D
DESIGN	Overlay or Flush Inset /O Classic Stainless Steel /S
HANDLE (classic stainless steel models)	Tubular Handle /TH Curved Handle /CH Pro Handle /PH
DOOR SWING	Right-Hand Swing -RH Left-Hand Swing -LH

Built-In Design Options. A design classic is now even better. Three distinct design approaches provide limitless flexibility for creating a beautiful kitchen. New lower profile hinges enable the new built-in units to merge more seamlessly with surrounding cabinetry. Three handle options coordinate with Wolf cooking products.



Overlay. Custom cabinet overlay panels can be combined with unique hardware for design flexibility. Shown with curved handle option to compliment Wolf E Series ovens.

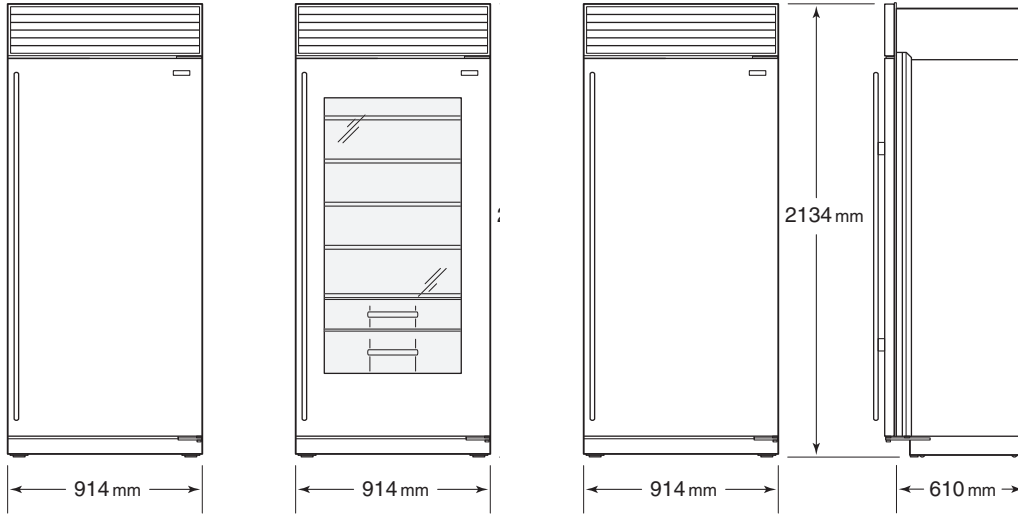


Flush Inset. This brand new design option allows for a flush door and grille. Classic, platinum and carbon stainless steel panels are available as sales accessories. Shown with tubular handle option to mirror Wolf L Series ovens.



Stainless Steel. For a professional look, classic stainless is standard and requires no customization. To compliment the look of Wolf ranges, choose the pro handle option shown here.

All Refrigerator / All Freezer Models



Model ICBBI-36R
ALL REFRIGERATOR

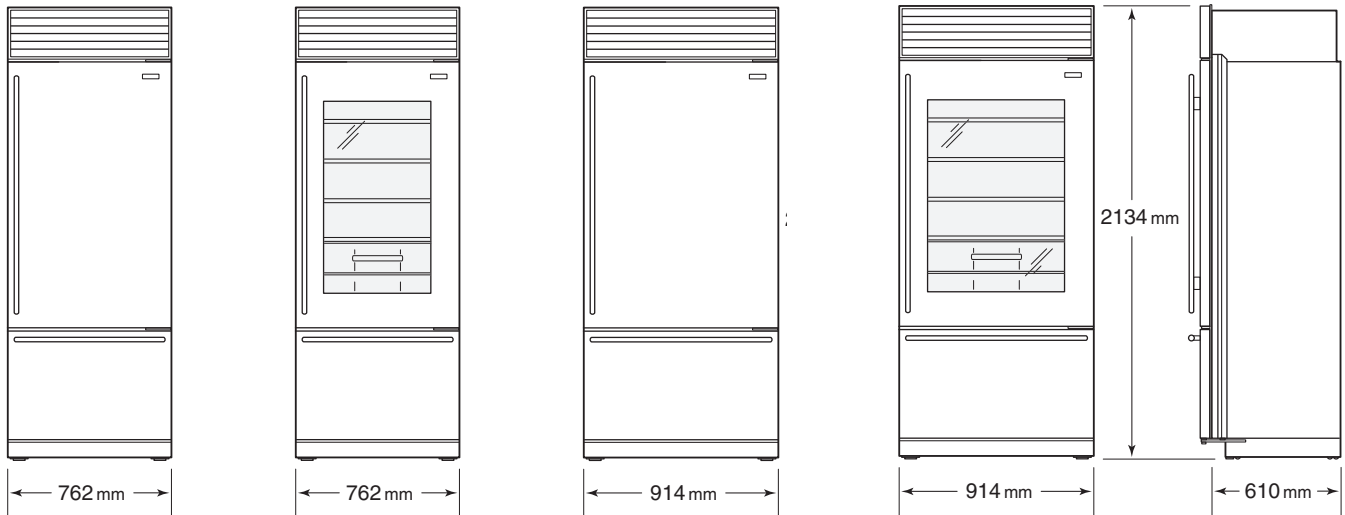
Model ICBBI-36RG
ALL REFRIGERATOR
GLASS DOOR

Model ICBBI-36F
ALL FREEZER

SIDE VIEW

IMPORTANT NOTE:
The heights of the All Refrigerator / All Freezer Models have increased from 1854 mm to 2134 mm.

Over-and-Under Models



Model ICBBI-30U

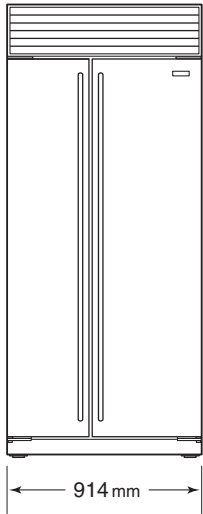
Model ICBBI-30UG
WITH GLASS DOOR

Model ICBBI-36U

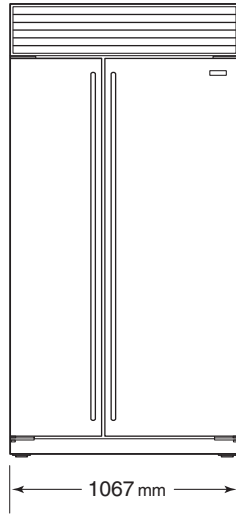
Model ICBBI-36UG
WITH GLASS DOOR

SIDE VIEW

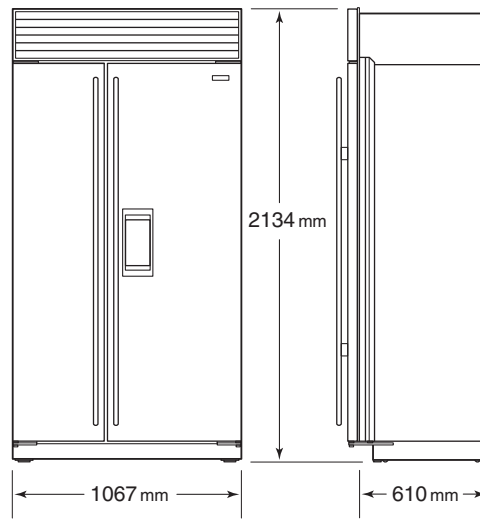
Side-by-Side Models



Model ICBBI-36S

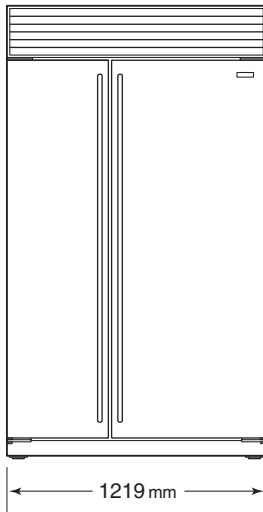


Model ICBBI-42S

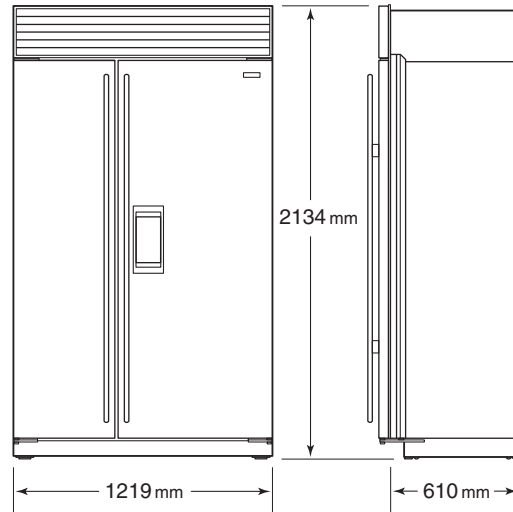


Model ICBBI-42SD
WITH DISPENSER

SIDE VIEW



Model ICBBI-48S

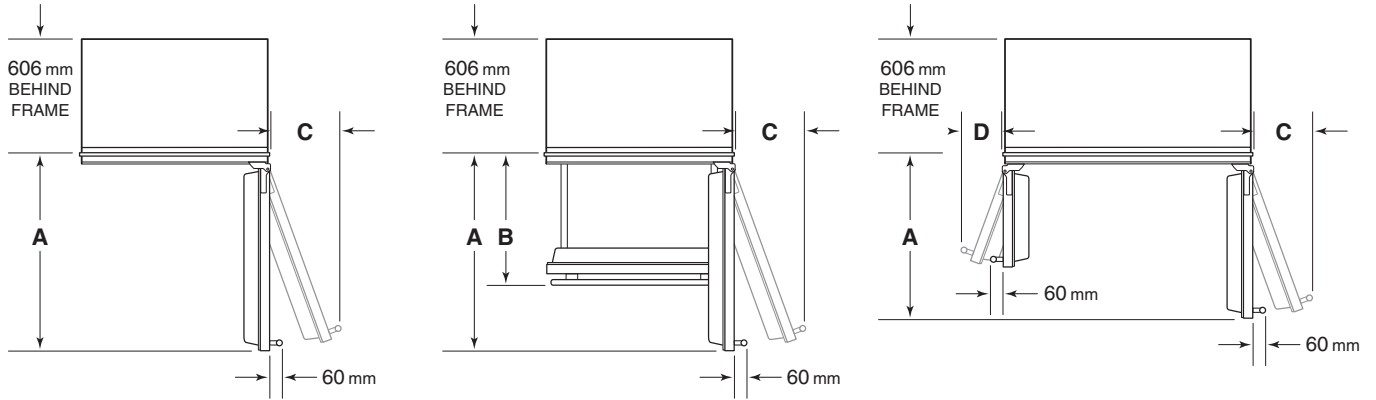


Model ICBBI-48SD
WITH DISPENSER

SIDE VIEW

Models are shown in the stainless steel design.

Door Clearance



All Refrigerator / All Freezer Models

Over-and-Under Models

Side-by-Side Models

Door Clearance				
ALL REFRIGERATOR / ALL FREEZER				
	A		C	
ICBBI-36R, ICBBI-36RG, ICBBI-36F	946 mm		432 mm	
OVER-AND-UNDER				
	A	B	C	
ICBBI-30U, ICBBI-30UG	796 mm	600 mm	368 mm	
ICBBI-36U, ICBBI-36UG	946 mm	600 mm	432 mm	
SIDE-BY-SIDE				
	A		C	D
ICBBI-36S	565 mm	260 mm	216 mm	
ICBBI-42S, ICBBI-42SD	668 mm	318 mm	222 mm	
ICBBI-48S, ICBBI-48SD	762 mm	356 mm	248 mm	

The doors of all built-in models open to a maximum of 110°. A 90° door stop is shipped with all units. For additional information, refer to the full-scale templates at the end of this guide. The handle depth reflects the tubular, curved and pro handles.

IMPORTANT NOTE: For flush inset applications, add 13 mm to dimension (A).

Interior Capacity / Weight

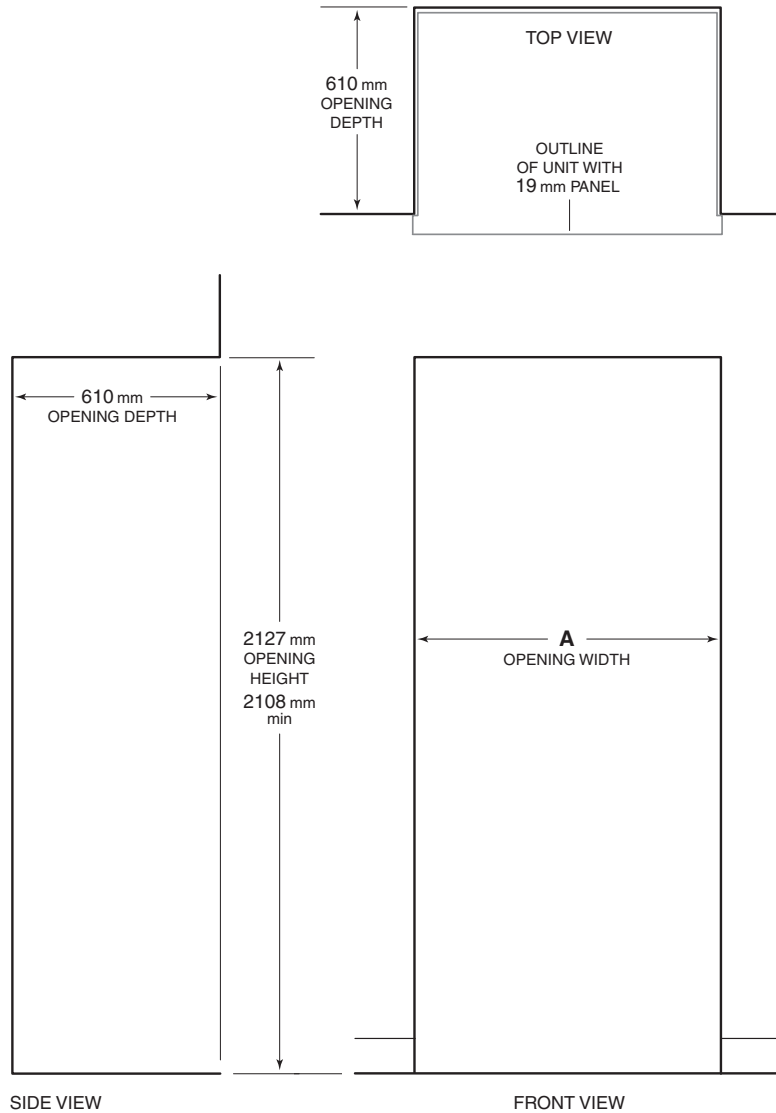
Capacity / Weight	R	F	W
ICBBI-36R	660 L		191 kg
ICBBI-36RG	665 L		195 kg
ICBBI-36F		646 L	184 kg
ICBBI-30U	361 L	116 L	210 kg
ICBBI-30UG	367 L	116 L	216 kg
ICBBI-36U	450 L	148 L	234 kg
ICBBI-36UG	447 L	142 L	240 kg

Capacity / Weight	R	F	W
ICBBI-36S	346 L	227 L	244 kg
ICBBI-42S	455 L	227 L	264 kg
ICBBI-42SD	452 L	230 L	276 kg
ICBBI-48S	532 L	269 L	286 kg
ICBBI-48SD	530 L	272 L	298 kg

Refrigerator (R) and freezer (F) interior capacities are listed in liters. Shipping weights (W) are listed in kilograms and are based on stainless steel models.

Standard Installation Opening Dimensions

Overlay and Classic Stainless Steel Models



Opening Width	A
ICBBI-36R, ICBBI-36RG and ICBBI-36F	902 mm
ICBBI-30U and ICBBI-30UG	746 mm
ICBBI-36U and ICBBI-36UG	902 mm
ICBBI-36S	902 mm
ICBBI-42S and ICBBI-42SD	1054 mm
ICBBI-48S and ICBBI-48SD	1206 mm

IMPORTANT NOTE: If two units are installed side by side, refer to pages 24–25 for dual standard installations.

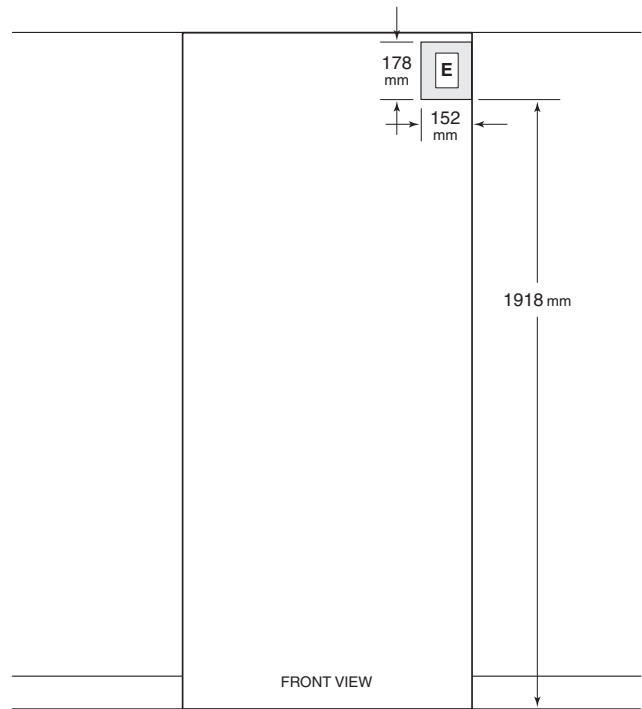
Classic stainless steel models are ready to install out of the box.

Electrical Requirements. A 220-240 V AC, 50/60 Hz, 10 amp circuit breaker and electrical supply are required. A separate circuit, servicing only this appliance is required.

All built-in models are equipped with a power supply cord with a 3-prong grounding plug which must be plugged into a mating 3-prong grounding-type wall receptacle. Follow local codes and ordinances when installing the receptacle. For all built-in models, the electrical supply should be located within the shaded area shown in the illustration.

IMPORTANT NOTE: A ground fault circuit interrupter (GFCI) is not recommended and may cause interruption of operation.

Electrical Requirements	
Power Supply	220-240 V AC, 50/60 Hz
Circuit Breaker	10 amp
Receptacle	3-prong grounding-type

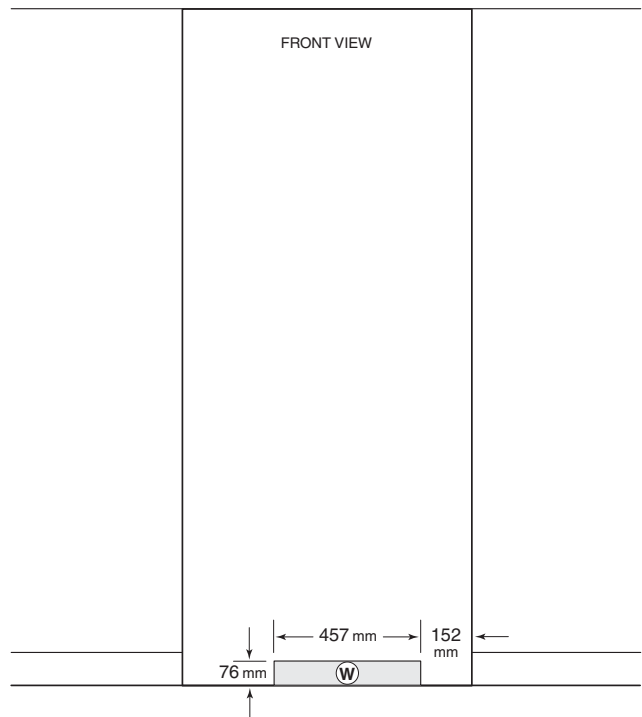
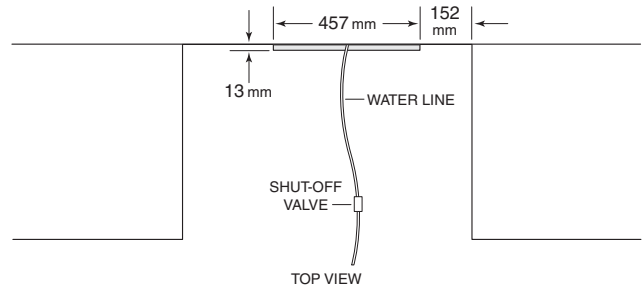


Location of electrical supply.

Plumbing Requirements. For all built-in models with an automatic ice maker, the water supply line should be located within the shaded area shown in the illustration. The water supply line should be connected to the house supply with an easily accessible shut-off valve between the supply and the unit. Do not use self-piercing valves. A saddle valve kit (4200880) is available from your Sub-Zero dealer. The water line must not interfere with installation of the anti-tip brackets.

IMPORTANT NOTE: A reverse osmosis system can be used provided there is constant water pressure of 30 psi (2.1 bar) to 100 psi (6.9 bar) supplied to the unit at all times.

Plumbing Requirements	
Water Supply Line	6.35 mm OD copper line
Water Pressure	2.1–6.9 bar
Excess Water Line for Connection	914 mm



Location of water supply.



Custom cabinet overlay panels can be combined with unique hardware for design flexibility. Shown with curved handle option to compliment Wolf E Series ovens.

Overlay Panels. If you and your client have ordered an overlay model, you will be adding panels and handles to give the unit a more custom look. The overlay panel design option is available for all built-in overlay models. For exact door panel dimensions, refer to overlay panel specifications on the following pages.

IMPORTANT NOTE: Overlay models can be used in a overlay or a flush inset application. Be aware that the application specified will affect panel sizes, rough opening dimensions and installation.

The overlay design allows decorative panels to cover the door trim for a more seamless appearance that blends with the design of the room. The most common way to achieve this look is to work with three panels—the decorative overlay panel which is typically 19 mm, a 3 mm spacer panel and a 6 mm backer panel. Depending on your cabinet manufacturer, this could also be one panel routed for different dimensions.

Regardless of the physical construction of the panels (three-panel assembly or routed panel), you will need to follow the overlay panel specifications on the following pages for exact sizing and panel placement to ensure a proper fit.

Overlay Panel Requirements

MAX WEIGHT PER PANEL

ICBBI-36R, ICBBI-36RG and ICBBI-36F	34 kg
All Other Overlay Models	23 kg
Grille Panel	6 kg

MIN PANEL THICKNESS

All Overlay Panels	16 mm
--------------------	-------

Overlay Panels. The illustrations provide a cross section view of the three-panel assembly showing placement of the trim and a rear view of the three-panel assembly with critical dimensions, standard for all built-in models.

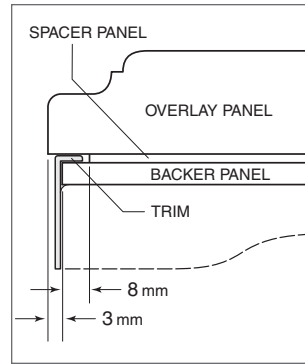
Overlay grille panels for the panel grille match the design of the overlay door panels. Dimensions for the grille panel are listed in the overlay panel specifications on the following pages.

IMPORTANT NOTE: On glass door models, the edges of the window cut-out will need to be finished, as they will be exposed.

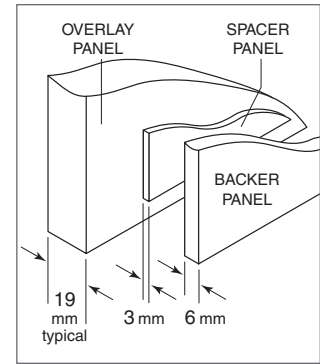
IMPORTANT NOTE: When installing two units in a side by side application, refer to pages 24–25 for dual standard installations. Be aware that rough opening dimensions are different for this application.

▲ CAUTION

Do not exceed the overlay decorative panel dimensions. Exceeding dimensions could cause damage to the panels and the Sub-Zero unit.

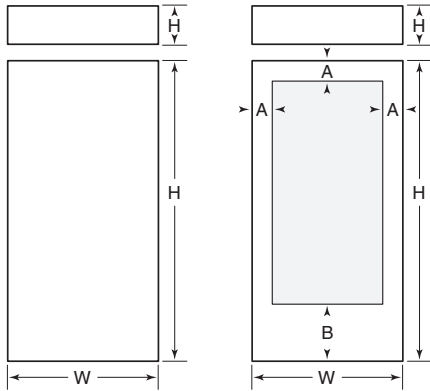


Panel assembly cross section.



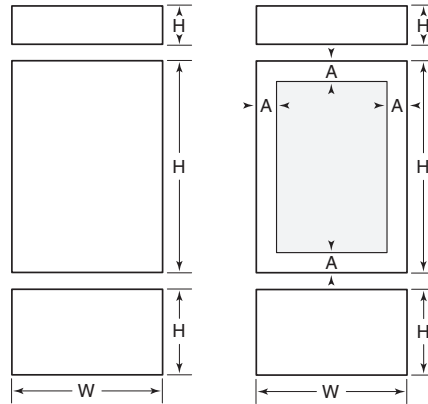
Panel assembly rear view.

Overlay Panel Specifications



ICBBI-36R
ICBBI-36F

ICBBI-36RG



ICBBI-30U
ICBBI-36U

ICBBI-30UG
ICBBI-36UG

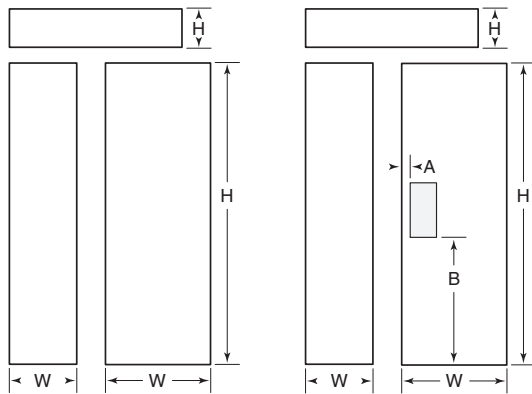
Models ICBBI-36R, ICBBI-36RG and ICBBI-36F			
REFRIGERATOR/FREEZER	W	H	
Overlay Panel	914 mm	1772 mm	
Spacer Panel	892 mm	1751 mm	
Backer Panel	908 mm	1767 mm	
GRILLE	W	H	
Overlay Panel	914 mm	235 mm	
Spacer Panel	892 mm	211 mm	
Backer Panel	908 mm	227 mm	
ICBBI-36RG	W	H	
Window Cut-Out	648 mm	1375 mm	
Cut-Out Location	A	B	
	133 mm	264 mm	

Models ICBBI-30U and ICBBI-30UG			
REFRIGERATOR	W	H	
Overlay Panel	762 mm	1273 mm	
Spacer Panel	740 mm	1253 mm	
Backer Panel	756 mm	1268 mm	
FREEZER	W	H	
Overlay Panel	762 mm	483 mm	
Spacer Panel	740 mm	459 mm	
Backer Panel	756 mm	475 mm	
GRILLE	W	H	
Overlay Panel	762 mm	235 mm	
Spacer Panel	740 mm	211 mm	
Backer Panel	756 mm	227 mm	
ICBBI-30UG	W	H	
Window Cut-Out	495 mm	1006 mm	
Cut-Out Location		A	
		133 mm	

Models ICBBI-36U and ICBBI-36UG			
REFRIGERATOR	W	H	
Overlay Panel	914 mm	1273 mm	
Spacer Panel	892 mm	1253 mm	
Backer Panel	908 mm	1268 mm	
FREEZER	W	H	
Overlay Panel	914 mm	483 mm	
Spacer Panel	892 mm	459 mm	
Backer Panel	908 mm	475 mm	
GRILLE	W	H	
Overlay Panel	914 mm	235 mm	
Spacer Panel	892 mm	211 mm	
Backer Panel	908 mm	227 mm	
ICBBI-36UG	W	H	
Window Cut-Out	648 mm	1006 mm	
Cut-Out Location		A	
		133 mm	

Grille panel dimensions listed are for a standard 2134 mm overall height of the unit. For an 2108 mm overall height, subtract 25 mm from grille panel height dimensions. For an 2235 mm overall height, add 102 mm to height dimensions. Width dimensions do not vary.

Overlay Panel Specifications



ICBBI-36S / ICBBI-42S
ICBBI-48S

ICBBI-42SD
ICBBI-48SD

Model ICBBI-36S		
REFRIGERATOR	W	H
Overlay Panel	510 mm	1772 mm
Spacer Panel	487 mm	1751 mm
Backer Panel	503 mm	1767 mm
FREEZER	W	H
Overlay Panel	398 mm	1772 mm
Spacer Panel	376 mm	1751 mm
Backer Panel	392 mm	1767 mm
GRILLE	W	H
Overlay Panel	914 mm	235 mm
Spacer Panel	892 mm	211 mm
Backer Panel	908 mm	227 mm

Models ICBBI-42S and ICBBI-42SD		
REFRIGERATOR	W	H
Overlay Panel	637 mm	1772 mm
Spacer Panel	614 mm	1751 mm
Backer Panel	630 mm	1767 mm
FREEZER	W	H
Overlay Panel	424 mm	1772 mm
Spacer Panel	402 mm	1751 mm
Backer Panel	418 mm	1767 mm
GRILLE	W	H
Overlay Panel	1067 mm	235 mm
Spacer Panel	1045 mm	211 mm
Backer Panel	1060 mm	227 mm
ICBBI-42SD	W	H
Dispenser Cut-Out	149 mm	316 mm
	A	B
Cut-Out Location	51 mm	732 mm

Models ICBBI-48S and ICBBI-48SD		
REFRIGERATOR	W	H
Overlay Panel	730 mm	1772 mm
Spacer Panel	708 mm	1751 mm
Backer Panel	724 mm	1767 mm
FREEZER	W	H
Overlay Panel	483 mm	1772 mm
Spacer Panel	460 mm	1751 mm
Backer Panel	476 mm	1767 mm
GRILLE	W	H
Overlay Panel	1219 mm	235 mm
Spacer Panel	1197 mm	211 mm
Backer Panel	1213 mm	227 mm
ICBBI-48SD	W	H
Dispenser Cut-Out	149 mm	316 mm
	A	B
Cut-Out Location	51 mm	732 mm

Grille panel dimensions listed are for a standard 2134 mm overall height of the unit. For an 2108 mm overall height, subtract 25 mm from grille panel height dimensions. For an 2235 mm overall height, add 102 mm to height dimensions. Width dimensions do not vary.



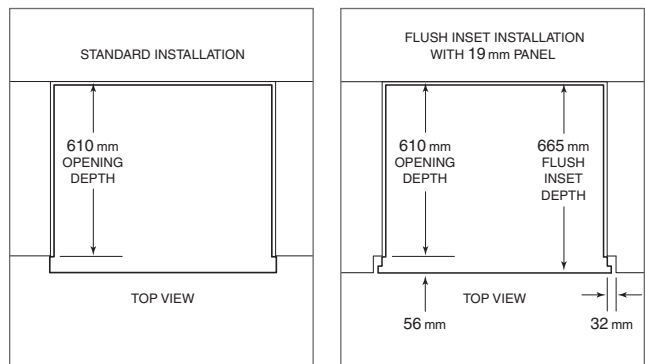
This brand new design option allows for a flush door and grille. Classic, platinum and carbon stainless steel panels are available as sales accessories. Shown with tubular handle option to mirror Wolf L Series ovens.

Flush Inset Application. It is necessary to consider the following points when planning for a flush inset application:

- The flush inset depth is 56 mm deeper than the standard opening.
- The flush inset width is 64 mm wider than the standard opening.
- The flush inset height is 6 mm higher than the standard opening.
- Panel widths increase to achieve the flush inset look.
- You must allow a 13 mm reveal around the perimeter of the unit and grille to allow for proper door swing and airflow.

IMPORTANT NOTE: Do not confuse the flush inset application as being a separate model. This is an overlay unit in a flush installation. The same model is used in an overlay or flush inset application.

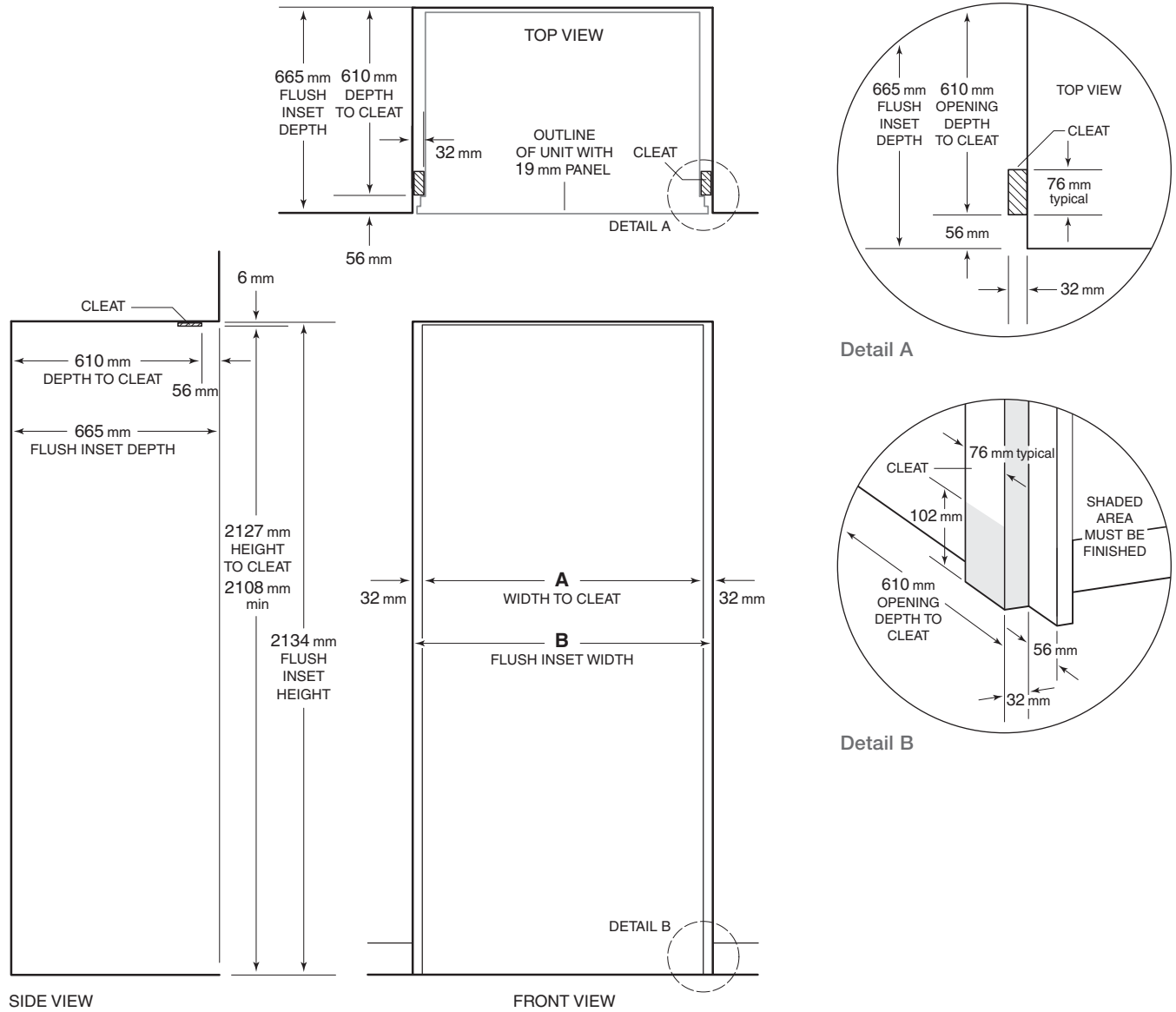
Rough opening dimensions for the new flush inset application assume the use of a 19 mm decorative panel. The illustrations below show the difference between standard and flush inset installations.



Standard installation.

Flush inset installation.

Flush Inset Installation Opening Dimensions



Flush Inset

Flush Inset Opening Widths	A	B
ICBBI-36R, ICBBI-36RG and ICBBI-36F	902 mm	965 mm
ICBBI-30U and ICBBI-30UG	746 mm	813 mm
ICBBI-36U and ICBBI-36UG	902 mm	965 mm
ICBBI-36S	902 mm	965 mm
ICBBI-42S and ICBBI-42SD	1054 mm	1118 mm
ICBBI-48S and ICBBI-48SD	1206 mm	1270 mm

IMPORTANT NOTE: Dimensions assume a 19 mm panel thickness.

IMPORTANT NOTE: If two units are installed side by side, refer to pages 26–27 for dual flush inset installations.

Flush Inset Panels. The flush inset application allows decorative panels on the front of the unit to be flush with surrounding cabinetry and is available for all built-in overlay models. For exact panel dimensions, refer to flush inset panel specifications on the following pages.

The flush inset design allows decorative panels to cover the door trim for a seamless appearance that blends with the design of the room. The most common way to achieve this look is to work with three panels—the decorative flush inset panel which is typically 19 mm, a 3 mm spacer panel and a 6 mm backer panel. Depending on your cabinet manufacturer, this could also be one panel routed for different dimensions.

Regardless of the physical construction of the panels (three-panel assembly or routed panel), you will need to follow the flush inset panel specifications on the following pages for exact sizing and panel placement to ensure a proper fit.

The illustration to the right provides a rear view of the three-panel assembly with critical dimensions, standard for all built-in models.

IMPORTANT NOTE: The inside edges of the rough opening as well as the sides and a portion of the back side of the decorative panels will need to be finished, as they will be exposed when the doors are open.

IMPORTANT NOTE: On glass door models, the edges of the window cut-out will need to be finished, as they will be exposed.

IMPORTANT NOTE: For flush inset panels thicker than 19 mm, a 90° door stop may be needed to avoid interference with adjacent cabinets. Refer to the full-scale templates at the end of this guide.

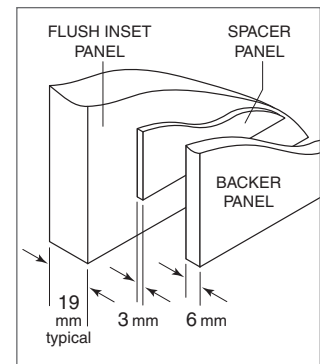
IMPORTANT NOTE: When installing two units side by side in a flush inset application, refer to pages 26–27 for dual flush inset installations. Be aware that rough opening dimensions, panel sizes and offsets are different for this application.

⚠ CAUTION

Do not exceed the flush inset decorative panel dimensions. Exceeding dimensions could cause damage to the panels and the Sub-Zero unit.

Flush Inset Panel Requirements

MAX WEIGHT PER PANEL	
ICBBI-36R, ICBBI-36RG and ICBBI-36F	34 kg
All Other Flush Inset Models	23 kg
Grille Panel	6 kg
MIN PANEL THICKNESS	
All Flush Inset Panels	16 mm

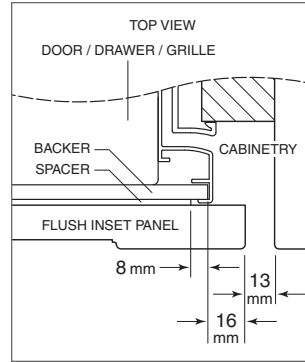


Three-panel assembly

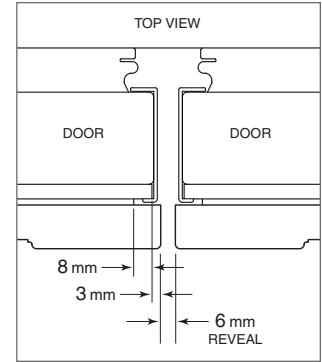
Flush Inset Panels. Illustrations A–F provide panel offsets and reveals for all built-in models in a flush inset application. Refer to the chart below for reference to the illustrations relating to your specific model.

For additional information on model specific panel reveals, visit the Specification Library section of our website, subzerotrade.com.

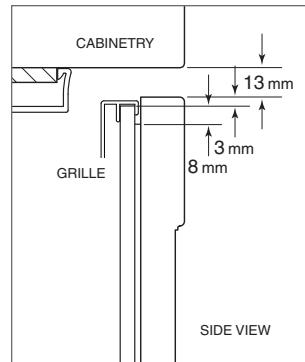
Panel Offsets	Illus.
ALL REFRIGERATOR / ALL FREEZER	
Door / Grille Sides	A
Grille Top	C
Grille Bottom / Door Top	D
Door Bottom	F
OVER-AND-UNDER	
Door / Drawer / Grille Sides	A
Grille Top	C
Grille Bottom / Door Top	D
Door Bottom / Drawer Top	E
Drawer Bottom	F
SIDE-BY-SIDE	
Doors (hinge) / Grille Sides	A
Doors (handle) Sides	B
Grille Top	C
Grille Bottom / Door Top	D
Door Bottom	F



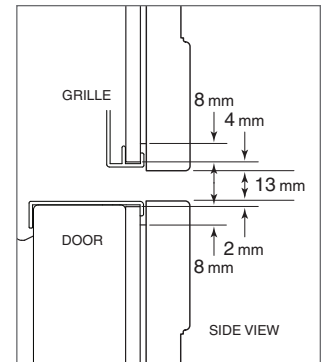
Illus. A



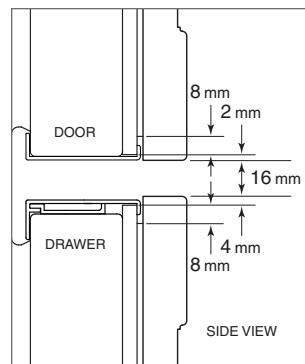
Illus. B



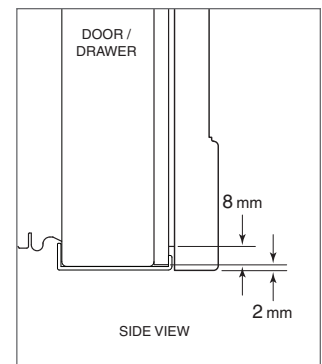
Illus. C



Illus. D

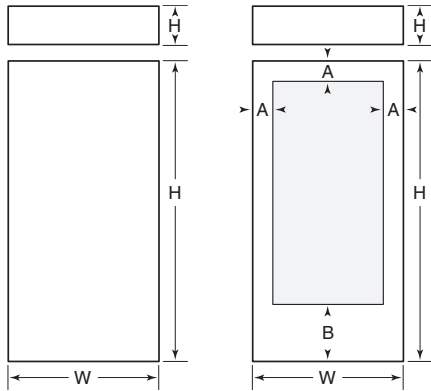


Illus. E



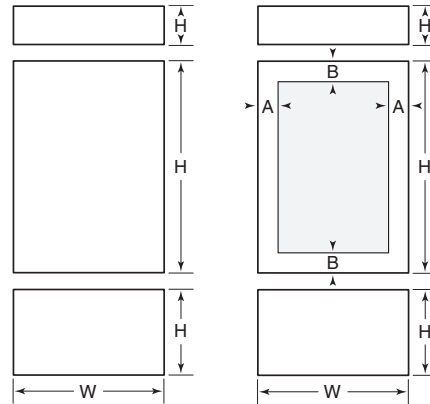
Illus. F

Flush Inset Panel Specifications



ICBBI-36R
ICBBI-36F

ICBBI-36RG



ICBBI-30U
ICBBI-36U

ICBBI-30UG
ICBBI-36UG

Models ICBBI-36R, ICBBI-36RG and ICBBI-36F			
REFRIGERATOR/FREEZER	W	H	
Flush Inset Panel	940 mm	1772 mm	
Spacer Panel	892 mm	1751 mm	
Backer Panel	908 mm	1767 mm	
GRILLE	W	H	
Flush Inset Panel	940 mm	235 mm	
Spacer Panel	892 mm	211 mm	
Backer Panel	908 mm	227 mm	
ICBBI-36RG	W	H	
Window Cut-Out	648 mm	1375 mm	
Cut-Out Location	A 146 mm	B 264 mm	

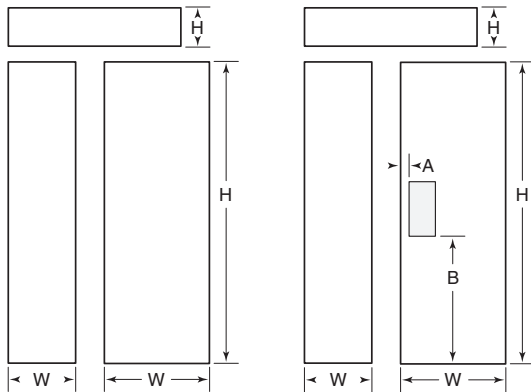
Models ICBBI-30U and ICBBI-30UG			
REFRIGERATOR	W	H	
Flush Inset Panel	787 mm	1273 mm	
Spacer Panel	740 mm	1253 mm	
Backer Panel	756 mm	1268 mm	
FREEZER	W	H	
Flush Inset Panel	787 mm	483 mm	
Spacer Panel	740 mm	459 mm	
Backer Panel	756 mm	475 mm	
GRILLE	W	H	
Flush Inset Panel	787 mm	235 mm	
Spacer Panel	740 mm	211 mm	
Backer Panel	756 mm	227 mm	
ICBBI-30UG	W	H	
Window Cut-Out	495 mm	1006 mm	
Cut-Out Location	A 146 mm	B 133 mm	

Models ICBBI-36U and ICBBI-36UG			
REFRIGERATOR	W	H	
Flush Inset Panel	940 mm	1273 mm	
Spacer Panel	892 mm	1253 mm	
Backer Panel	908 mm	1268 mm	
FREEZER	W	H	
Flush Inset Panel	940 mm	483 mm	
Spacer Panel	892 mm	459 mm	
Backer Panel	908 mm	475 mm	
GRILLE	W	H	
Flush Inset Panel	940 mm	235 mm	
Spacer Panel	892 mm	211 mm	
Backer Panel	908 mm	227 mm	
ICBBI-36UG	W	H	
Window Cut-Out	648 mm	1006 mm	
Cut-Out Location	A 146 mm	B 133 mm	

Grille panel dimensions listed are for a standard 2134 mm overall height of the unit. For an 2108 mm overall height, subtract 25 mm from grille panel height dimensions. For an 2235 mm overall height, add 102 mm to height dimensions. Width dimensions do not vary.

Flush Inset

Flush Inset Panel Specifications



ICBBI-36S / ICBBI-42S
ICBBI-48S

ICBBI-42SD
ICBBI-48SD

Model ICBBI-36S		
REFRIGERATOR	W	H
Flush Inset Panel	522 mm	1772 mm
Spacer Panel	487 mm	1751 mm
Backer Panel	503 mm	1767 mm
FREEZER	W	H
Flush Inset Panel	411 mm	1772 mm
Spacer Panel	376 mm	1751 mm
Backer Panel	392 mm	1767 mm
GRILLE	W	H
Flush Inset Panel	940 mm	235 mm
Spacer Panel	892 mm	211 mm
Backer Panel	908 mm	227 mm

Models ICBBI-42S and ICBBI-42SD		
REFRIGERATOR	W	H
Flush Inset Panel	649 mm	1772 mm
Spacer Panel	614 mm	1751 mm
Backer Panel	630 mm	1767 mm
FREEZER	W	H
Flush Inset Panel	437 mm	1772 mm
Spacer Panel	402 mm	1751 mm
Backer Panel	418 mm	1767 mm
GRILLE	W	H
Flush Inset Panel	1092 mm	235 mm
Spacer Panel	1045 mm	211 mm
Backer Panel	1060 mm	227 mm
DISPENSER (ICBBI-42SD)	W	H
Dispenser Cut-Out	149 mm	316 mm
	A	B
Cut-Out Location	51 mm	732 mm

Models ICBBI-48S and ICBBI-48SD		
REFRIGERATOR	W	H
Flush Inset Panel	743 mm	1772 mm
Spacer Panel	708 mm	1751 mm
Backer Panel	724 mm	1767 mm
FREEZER	W	H
Flush Inset Panel	495 mm	1772 mm
Spacer Panel	460 mm	1751 mm
Backer Panel	476 mm	1767 mm
GRILLE	W	H
Flush Inset Panel	1245 mm	235 mm
Spacer Panel	1197 mm	211 mm
Backer Panel	1213 mm	227 mm
DISPENSER (ICBBI-48SD)	W	H
Cut-Out	149 mm	316 mm
	A	B
Cut-Out Location	51 mm	732 mm

Grille panel dimensions listed are for a standard 2134 mm overall height of the unit. For an 2108 mm overall height, subtract 25 mm from grille panel height dimensions. For an 2235 mm overall height, add 102 mm to height dimensions. Width dimensions do not vary.

Dispenser Area. For Models ICBBI-42SD and ICBBI-48SD, the refrigerator door panel must include a cut-out to accommodate the dispenser glasswell and bezel. The thickness of the panel in this area can range from 6 mm to a maximum of 29 mm.

IMPORTANT NOTE: Regardless of the thickness of the panel for Model ICBBI-42SD or ICBBI-48SD, you must plan for a flat landing area for the decorative bezel surrounding the glasswell area. The illustration to the right provides exact bezel dimensions. Refer to the appropriate panel specifications page for exact cut-out location. This landing area can be accomplished in a number of different ways. These photos show two options.

One option (flush) is to rout the panel so the bezel will be flush with rails and stiles. You must rout a space to accommodate the height and width of the bezel. The width of the stile immediately adjacent to the bezel must be 37 mm. Do not cut the entire stile to this dimension.

The other option (proud) shows a boxed out landing area for the bezel using stiles and rails to create this space. In this application, the bezel will sit proud of the stiles and rails. The total thickness of the panels at this level must not exceed 29 mm.

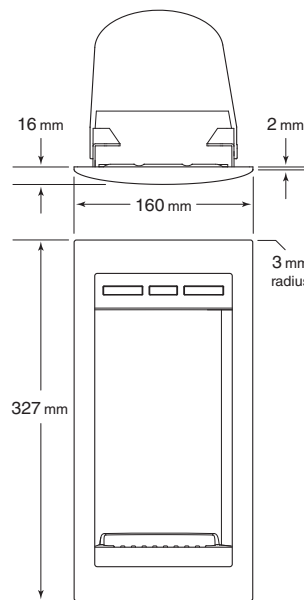
For overlay and flush inset Models ICBBI-42SD and ICBBI-48SD, mounting placement of the refrigerator door handle must assure proper access to the glasswell and adequate clearance under the handle. The handle placement illustration shows the relation of the refrigerator door handle to the glasswell bezel on stainless steel models.



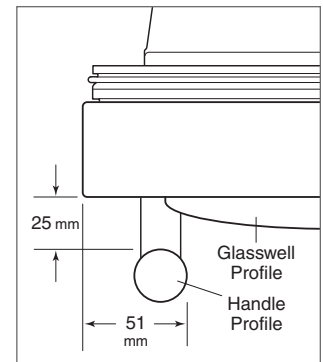
Flush option.



Proud option.



Dispenser dimensions.



Handle placement.

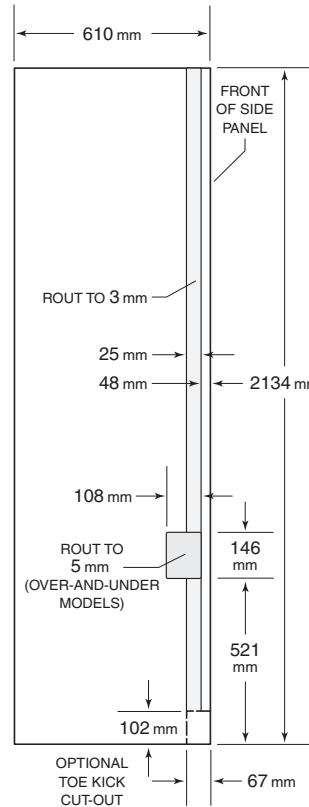
Side Panels. Side panels can be used with all overlay, flush inset and stainless steel design applications. When planning for side panels with the installation of a built-in model, you need to be aware of the space configuration to achieve a pleasing fit. Depending on the exact panel you are using with your unit, the height of the panel may vary.

IMPORTANT NOTE: The use of side panels may change the width of your rough opening.

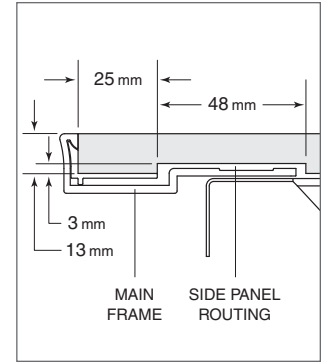
When installing a built-in unit with a custom side panel, an accessory kit (7003407) is required. Classic stainless steel and white enamel side panels are also available through your Sub-Zero dealer.

The side panel will need to be a minimum of 610 mm deep and 13 mm thick. Refer to the side panel dimensions illustration for additional specifications. Routing will be necessary in order for the side panel to fit flush against the side of the unit. Refer also to the routing detail illustration.

IMPORTANT NOTE: If you have a Model ICBBI-30U, ICBBI-30UG, ICBBI-36U or ICBBI-36UG, extra routing will be necessary to avoid having the panel hit the refrigerator lower hinge plate.



Side panel dimensions.



Routing Detail.



Dual Standard Installation

Dual Standard Installations. Two overlay or stainless steel units may be placed side by side in a dual installation. Some dual standard installations will require a dual installation kit, available through your Sub-Zero dealer. If you are installing two units side by side in a flush inset application refer to page 27.

A custom filler strip can be used in between two units in an overlay or stainless steel design application. It is recommended that the filler strip be at least 51 mm wide, to prevent condensation between the units. Be sure to add the filler strip width to your rough opening width. Refer to the full-scale template on page 35.

Dual installations without a filler strip can only be accomplished using two units with opposite hinges as shown in illustration A below. The dual installations shown in illustrations B and C require a filler strip.

IMPORTANT NOTE: For the application shown in illustration A, a dual installation accessory kit is required. Refer to page 30 for information on dual installation accessory kits.

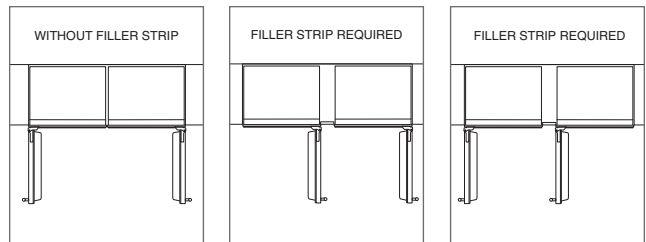
Dual Installation Panel Requirements

MAX WEIGHT PER PANEL

ICBBI-36R, ICBBI-36RG and ICBBI-36F	34 kg)
All Other Models	23 kg)
Dual Wide Grille Panel	12 kg)

MIN PANEL THICKNESS

Overlay and Flush Inset Panels	16 mm
--------------------------------	-------



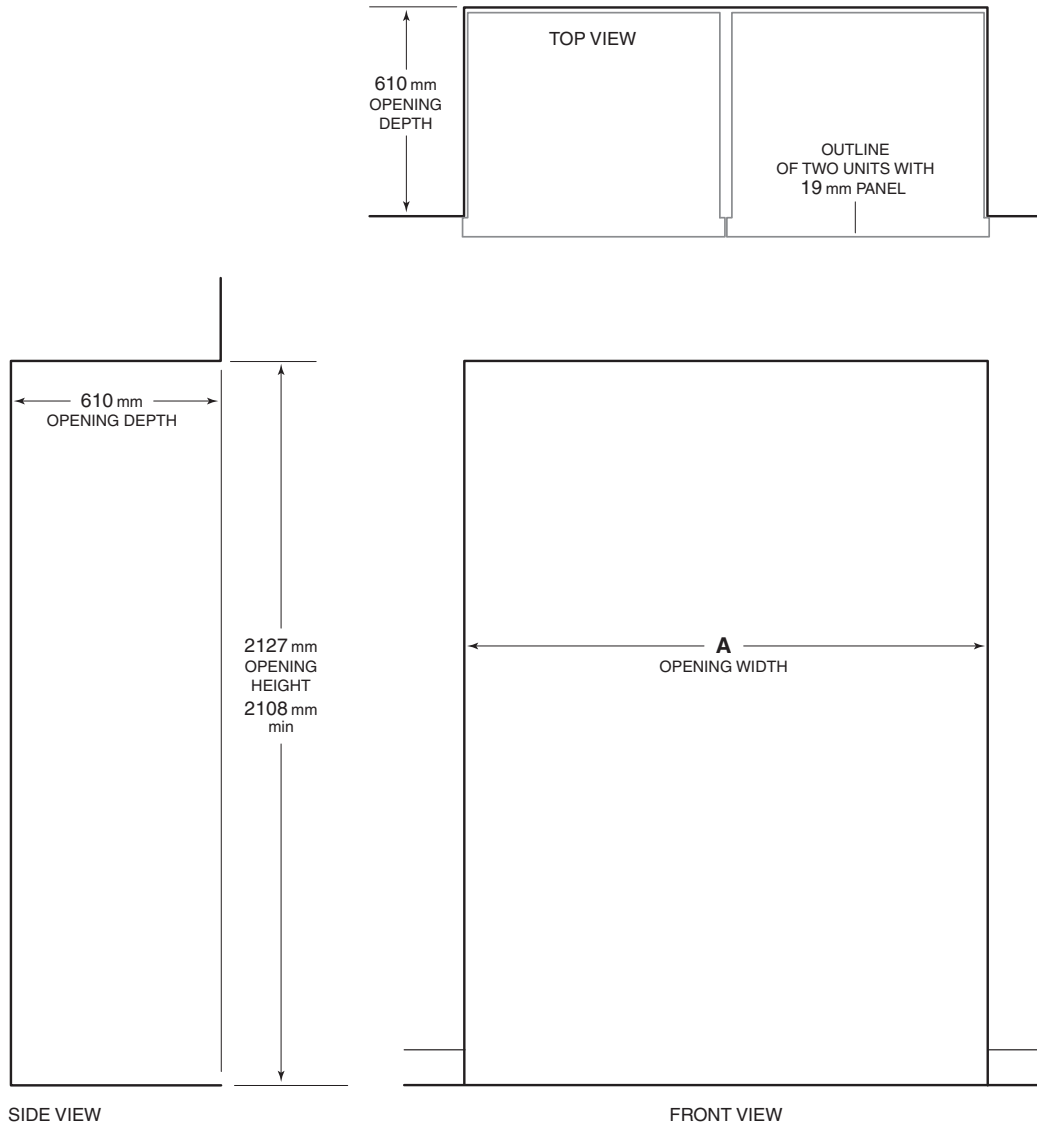
Illus. A

Illus. B

Illus. C

Dual Standard Installation Opening Dimensions

Overlay and Classic Stainless Steel Models



Opening Widths	A
Two 762 mm Models	1518 mm
Two 914 mm Models	1822 mm

IMPORTANT NOTE: A dual installation kit will be required for this installation.

Classic stainless steel models are ready to install out of the box.



Dual Flush Inset Installation

Dual Flush Inset Installation. Installing two built-in models side by side in a flush inset application will require adjustments to the dimensions of your finished rough opening, panel sizes and panel offsets. It will also require a dual installation kit, available through your Sub-Zero dealer.

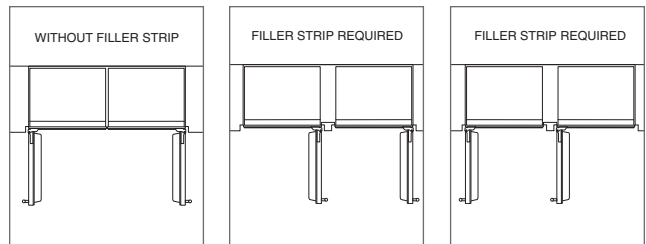
Dual installations without a filler strip can only be accomplished using two units with opposite hinges as shown in illustration A below. The dual installations shown in illustrations B and C require a filler strip. Illustration A is the only application that will accommodate the dual wide grille.

IMPORTANT NOTE: The application shown in illustration A can only be achieved by installing dual flush inset panels. Failure to install dual flush inset panels will cause the handle side of the panels to collide when closing. In this application a dual installation accessory kit is also required.

Dual flush inset panels and dual installation kits are available through your Sub-Zero dealer. Refer to pages 28–29 for dual flush inset panel specifications and page 30 for information on dual installation accessory kits.

Dual Installation Panel Requirements

Dual Installation Panel Requirements	
MAX WEIGHT PER PANEL	
ICBBI-36R, ICBBI-36RG and ICBBI-36F	34 kg)
All Other Models	23 kg)
Dual Wide Grille Panel	12 kg)
MIN PANEL THICKNESS	
Flush Inset Panels	16 mm

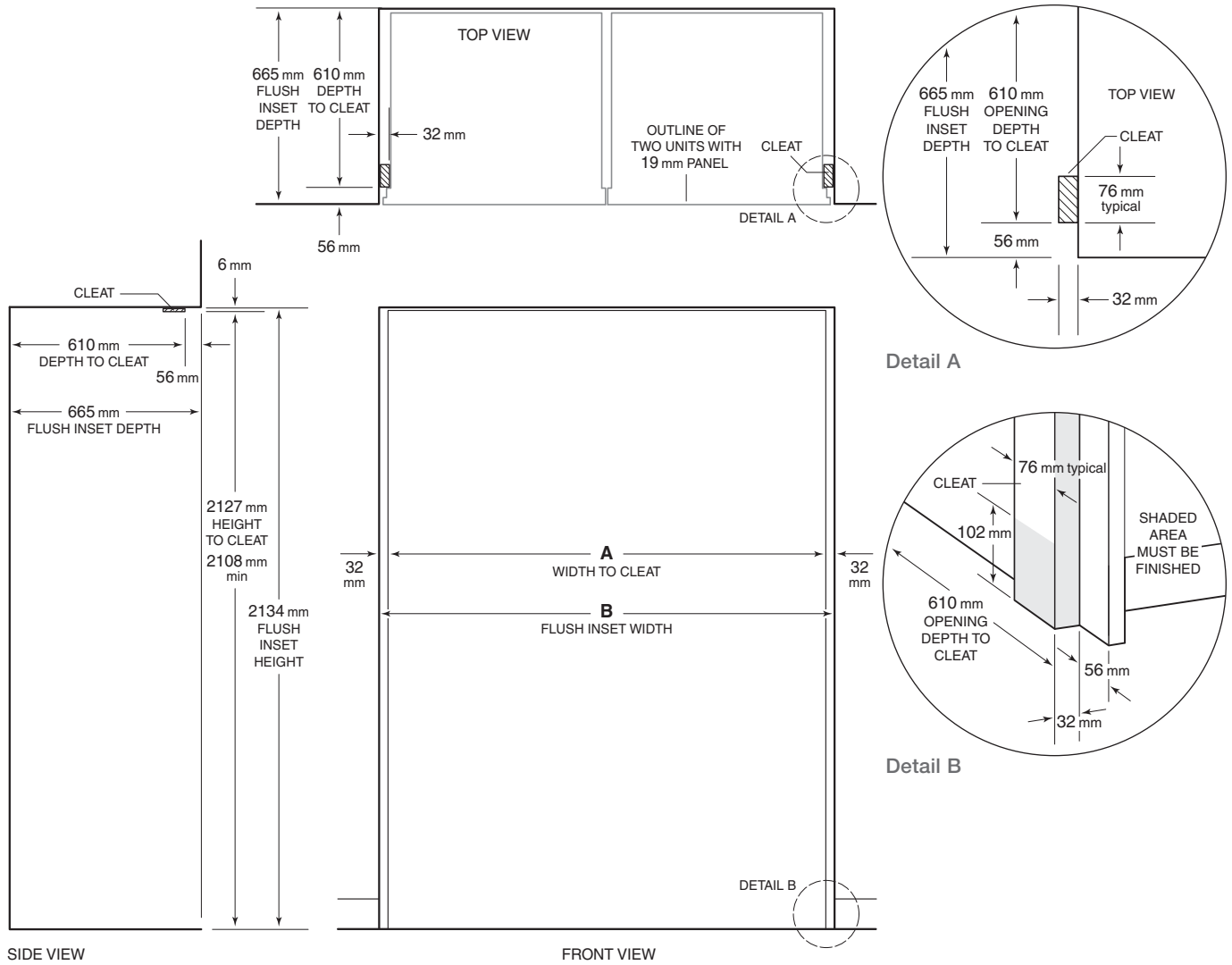


Illus. A

Illus. B

Illus. C

Dual Flush Inset Installation Opening Dimensions



Opening Widths	A	B
Two 762 mm Models	1518 mm	1581 mm
Two 914 mm Models	1822 mm	1886 mm

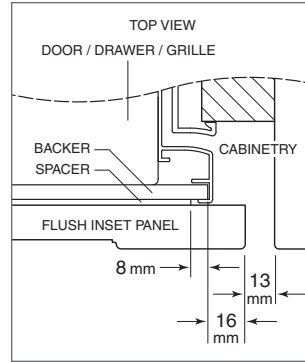
IMPORTANT NOTE: Dimensions assume a 19 mm panel thickness. A dual installation kit will be required for this installation.

Flush Inset Panels—Dual Installation. When installing two built-in models side by side in a flush inset application, you must decrease the width of the decorative flush inset panels by 13 mm. Adjustments to the panel offsets will also need to be made. These adjustments are needed to achieve a proper fit and to ensure the panels do not collide when closing. Panel dimensions in the chart below have been adjusted to reflect the decrease in panel dimensions.

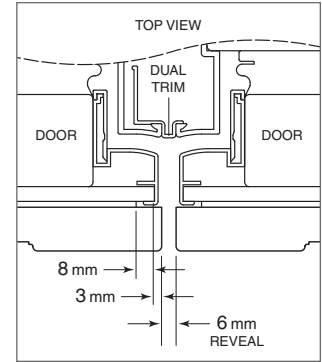
IMPORTANT NOTE: If a filler strip is not used, dual installations can only be accomplished using two units with opposite hinges.

Illustrations A–F provide panel offsets and reveals for all built-in models in a flush inset application. Refer to the chart below for reference to the illustrations relating to your specific model. All reveals are 13 mm unless otherwise specified.

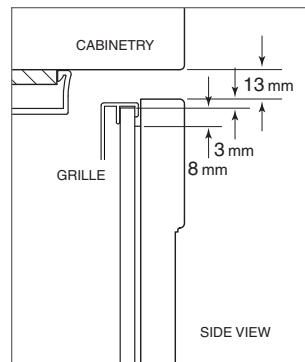
For additional information on model specific panel reveals, visit the Specification Library section of our website, subzerotrade.com.



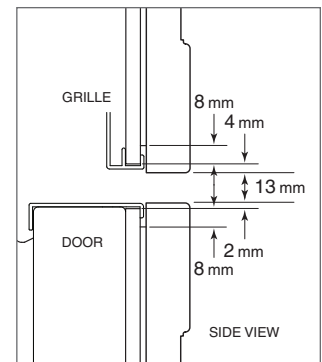
Illus. A



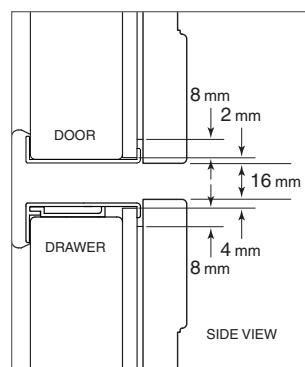
Illus. B



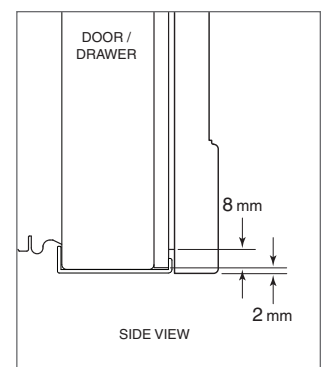
Illus. C



Illus. D



Illus. E

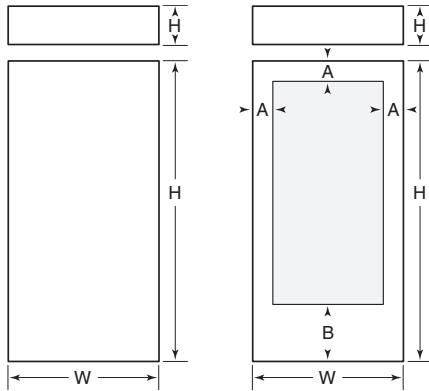


Illus. F

Panel Offsets	Illus.
ALL REFRIGERATOR / ALL FREEZER	
Doors (hinge) / Grille Sides	A
Doors (handle) Sides	B
Grille Top	C
Grille Bottom / Door Top	D
Door Bottom	F
OVER-AND-UNDER	
Doors (hinge) / Drawer / Grille Sides	A
Doors (handle) Sides	B
Grille Top	C
Grille Bottom / Door Top	D
Door Bottom / Drawer Top	E
Drawer Bottom	F

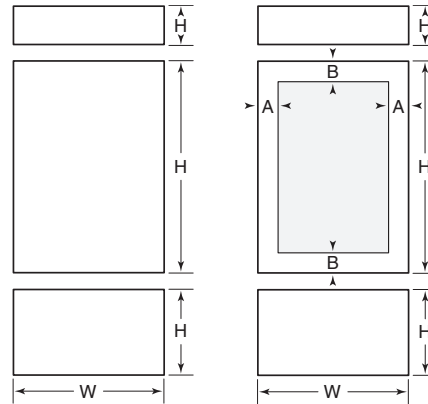
CAUTION
Do not exceed the flush inset decorative panel dimensions. Exceeding dimensions could cause damage to the panels and the Sub-Zero unit.

Flush Inset Panel Specifications—Dual Installation



ICBBI-36R
ICBBI-36F

ICBBI-36RG



ICBBI-30U
ICBBI-36U

ICBBI-30UG
ICBBI-36UG

Models ICBBI-36R, ICBBI-36RG and ICBBI-36F			
REFRIGERATOR/FREEZER	W	H	
Flush Inset Panel	927 mm	1772 mm	
Spacer Panel	892 mm	1751 mm	
Backer Panel	908 mm	1767 mm	
GRILLE	W	H	
Flush Inset Panel	927 mm	235 mm	
Spacer Panel	892 mm	211 mm	
Backer Panel	908 mm	227 mm	
ICBBI-36RG	W	H	
Window Cut-Out	648 mm	1375 mm	
Cut-Out Location	A 146 mm	B 264 mm	

Models ICBBI-30U and ICBBI-30UG			
REFRIGERATOR	W	H	
Flush Inset Panel	775 mm	1273 mm	
Spacer Panel	740 mm	1253 mm	
Backer Panel	756 mm	1268 mm	
FREEZER	W	H	
Flush Inset Panel	775 mm	483 mm	
Spacer Panel	740 mm	459 mm	
Backer Panel	756 mm	475 mm	
GRILLE	W	H	
Flush Inset Panel	775 mm	235 mm	
Spacer Panel	740 mm	211 mm	
Backer Panel	756 mm	227 mm	
ICBBI-30UG	W	H	
Window Cut-Out	495 mm	1006 mm	
Cut-Out Location	A 146 mm	B 133 mm	

Models ICBBI-36U and ICBBI-36UG			
REFRIGERATOR	W	H	
Flush Inset Panel	927 mm	1273 mm	
Spacer Panel	892 mm	1253 mm	
Backer Panel	908 mm	1268 mm	
FREEZER	W	H	
Flush Inset Panel	927 mm	483 mm	
Spacer Panel	892 mm	459 mm	
Backer Panel	908 mm	475 mm	
GRILLE	W	H	
Flush Inset Panel	927 mm	235 mm	
Spacer Panel	892 mm	211 mm	
Backer Panel	908 mm	227 mm	
ICBBI-36UG	W	H	
Window Cut-Out	648 mm	1006 mm	
Cut-Out Location	A 146 mm	B 133 mm	

Grille panel dimensions listed are for a standard 2134 mm overall height of the unit. For an 2108 mm overall height, subtract 25 mm from grille panel height dimensions. For an 2235 mm overall height, add 102 mm to height dimensions. Width dimensions do not vary.

For dual wide grilles, refer to page 30.

Dual Installation Kit with Dual Wide Grille.

This kit will replace the existing grilles that ship with the units and span the entire width of both units. The kit includes a 6 mm center trim strip (required for proper installation of the dual wide grille), heater, dual kickplate and mounting hardware. Dual wide grilles are available for all built-in models and design applications. The overlay dual installation kit with grille will accept overlay and dual flush inset panels. For dual wide grille panel dimensions, refer to the panel specifications below for your design application. Grille panel dimensions listed are for a standard 2134 mm overall height of the unit.

Dual Installation Kit. This kit is available for those who choose to utilize the individual grilles that ship with each unit. The kit includes a 6 mm filler strip (which fills the reveal between the units and grilles), heater and mounting hardware. This dual installation kit is not required if a custom filler strip is used. The filler strip should be a minimum of 51 mm wide. Refer to the full-scale template on page 35 for more information.

Dual Wide Grille—Overlay Panels

Two 762 mm Models		
DUAL WIDE GRILLE	W	H
Overlay Panel	1530 mm	235 mm
Spacer Panel	1508 mm	211 mm
Backer Panel	1524 mm	227 mm

Two 914 mm Models		
DUAL WIDE GRILLE	W	H
Overlay Panel	1835 mm	235 mm
Spacer Panel	1813 mm	211 mm
Backer Panel	1829 mm	227 mm

Dual Wide Grille—Flush Inset Panels

Two 762 mm Models		
DUAL WIDE GRILLE	W	H
Flush Inset Panel	1556 mm	235 mm
Spacer Panel	1508 mm	211 mm
Backer Panel	1524 mm	227 mm

Two 914 mm Models		
DUAL WIDE GRILLE	W	H
Flush Inset Panel	1861 mm	235 mm
Spacer Panel	1813 mm	211 mm
Backer Panel	1829 mm	227 mm

Accessories. These optional accessories are available for built-in models. Be aware that some accessories can not be used with every model. Accessories are available through your Sub-Zero dealer. To obtain local dealer information, visit the Showroom Locator section of our website, subzero.com.

- Front panels for flush inset application in classic, platinum and carbon stainless steel with tubular, curved and pro handles.
- Panel and stainless steel grilles for 2108 mm and 2235 mm overall heights. Built-in models come standard with a grille for an 2134 mm overall height of the unit.
- Side panels in white and classic stainless steel.
- Custom side panel mounting kit.
- Decorative stainless steel handles available in tubular, curved and pro styles in a variety of lengths. For standard handle lengths, refer to the chart.
- Retrofit kits for use with 600 series panels. Allows for existing 600 series panels to be used on a new built-in model—not available for Models ICBBI-36R, ICBBI-36RG, ICBBI-36F, ICBBI-30UG, ICBBI-36UG, ICBBI-42SD and ICBBI-48SD.
- Dual installation kit for use when placing units side by side. Kits available with or without the dual wide grille assembly.

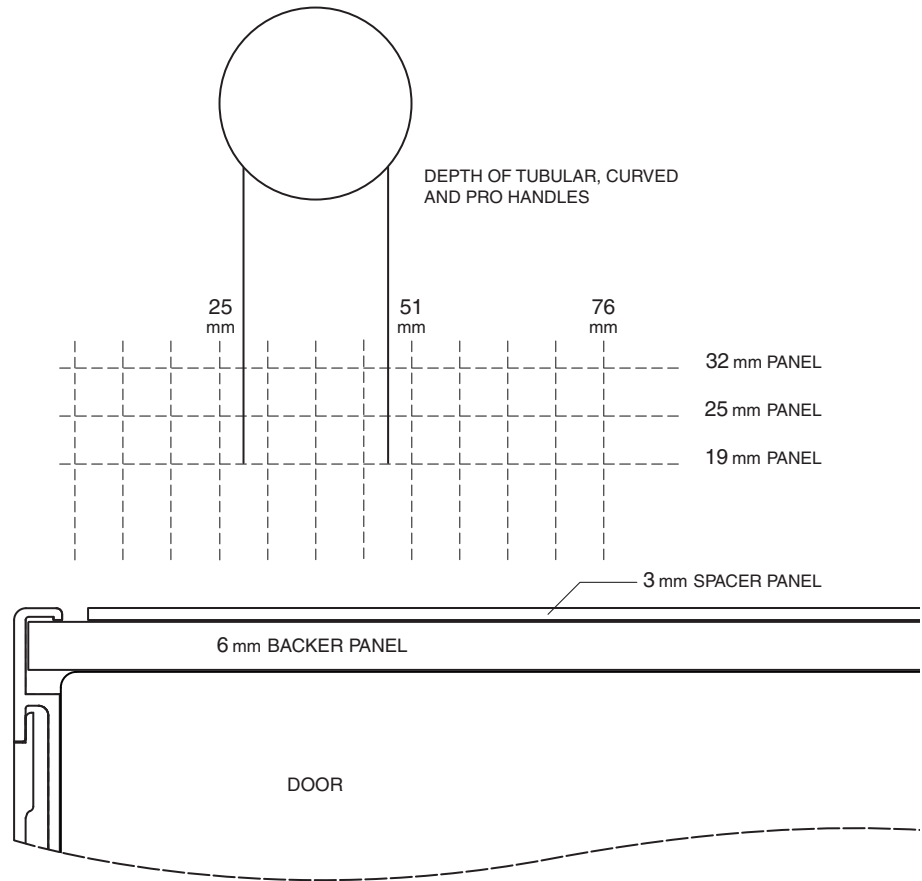
Standard Handle Lengths		
ALL REFRIGERATOR / ALL FREEZER / SIDE-BY-SIDE MODELS		
Tubular Handle		1622 mm
Pro Handle		1146 mm
Curved Handle		1464 mm
Stud Spacing		1114 mm
ICBBI-30U and ICBBI-30UG	DOOR	DRAWER
Tubular Handle	1124 mm	633 mm
Pro Handle	952 mm	533 mm
Curved Handle	1148 mm	641 mm
Stud Spacing	921 mm	414 mm
ICBBI-36U and ICBBI-36UG	DOOR	DRAWER
Tubular Handle	1124 mm	770 mm
Pro Handle	952 mm	597 mm
Curved Handle	1148 mm	796 mm
Stud Spacing	921 mm	567 mm

This full-scale template shows handle placement and panel thickness for overlay and flush inset applications.

IMPORTANT NOTE: Panel thickness does not include the 6 mm backer panel and 3 mm spacer panel.

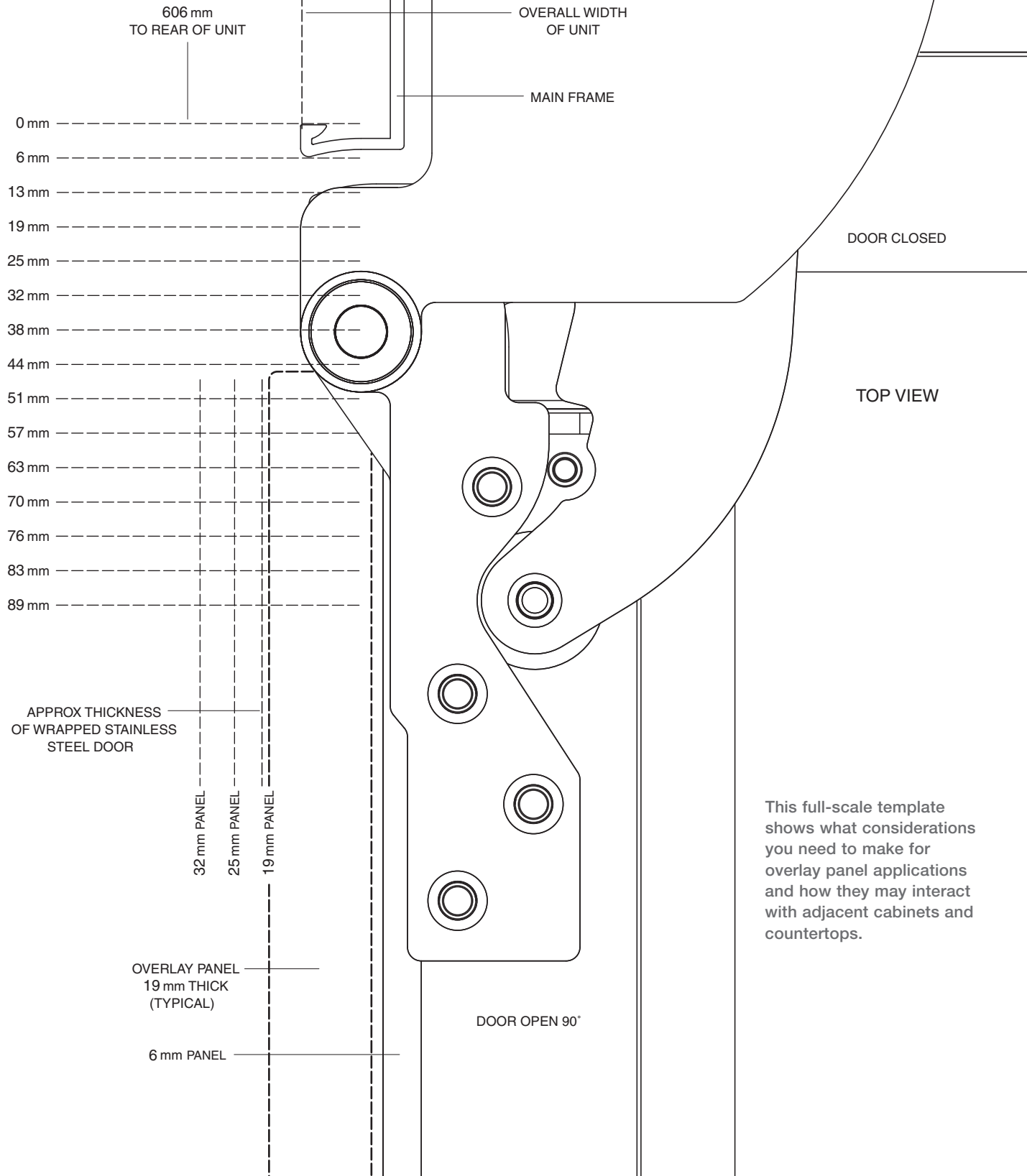
IMPORTANT NOTE: The panel must be a minimum of 16 mm thick to support mounting the handle hardware.

Mount door handles close to the opening edge of the door for ease of opening.



SUB-ZERO UNIT

subzerotrade.com

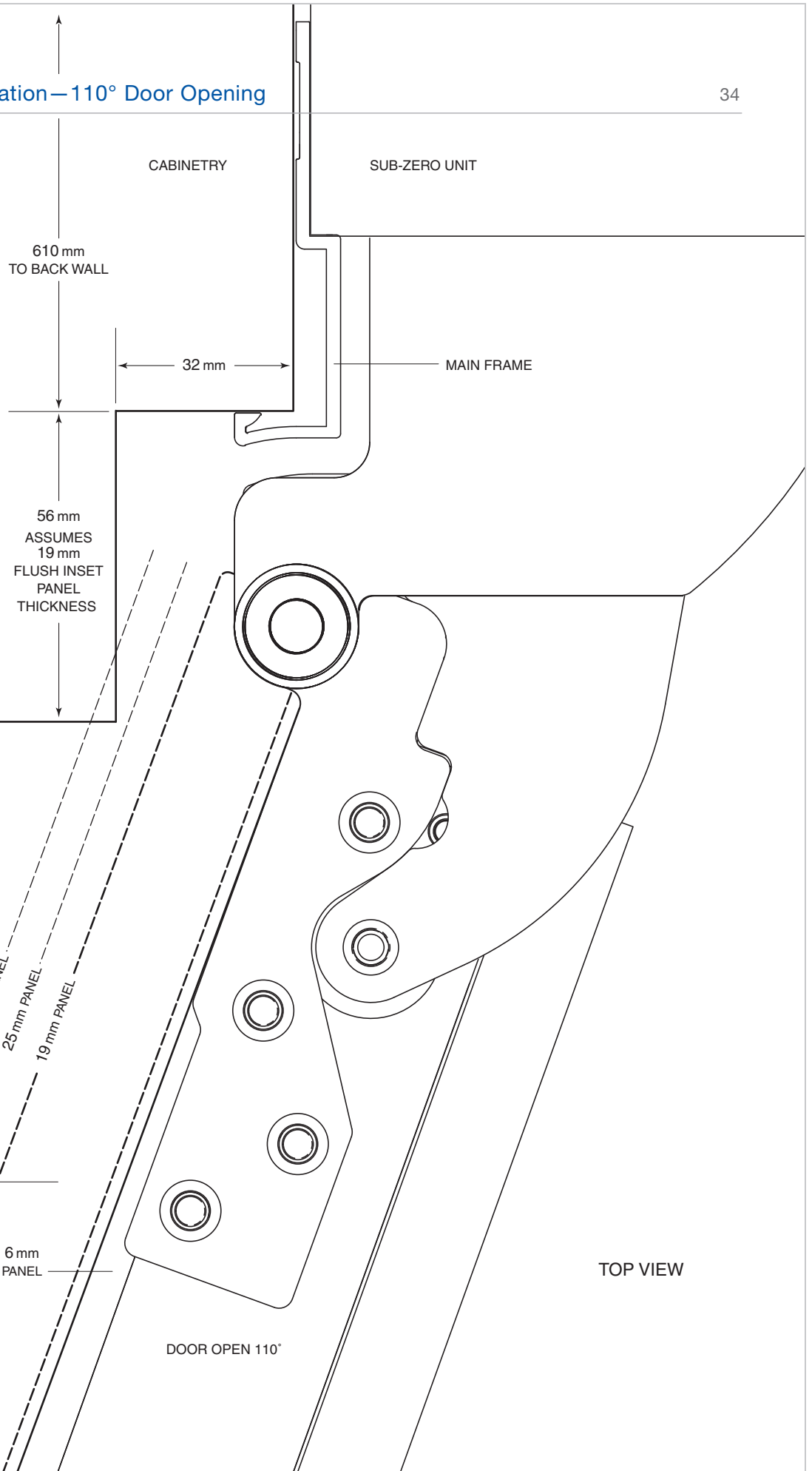


This full-scale template shows what considerations you need to make for overlay panel applications and how they may interact with adjacent cabinets and countertops.

Flush Inset Panel Application—110° Door Opening

This full-scale template shows what considerations you need to make for flush inset panel applications and how they may interact with adjacent cabinets and countertops.

IMPORTANT NOTE: For flush inset panels thicker than 19 mm, a 90° door stop may be needed to avoid interference with adjacent cabinets.



Panel and Handle Profile—110° Door Opening

SUB-ZERO UNIT

TOP VIEW

DOOR CLOSED

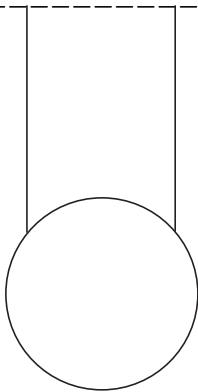
FILLER STRIP

51 mm

MAIN FRAME

ALLOW FOR FILLER LAP
BEHIND FLANGE

APPROX PROFILE OF
STAINLESS STEEL WRAPPED
DOOR AND HANDLE



32 mm PANEL

25 mm PANEL

19 mm PANEL

13 mm PANEL

APPROX THICKNESS OF
WRAPPED STAINLESS
STEEL DOOR

OVERLAY PANEL
19 mm THICK
(TYPICAL)

6 mm
PANEL

DOOR OPEN 110°

This full-scale template shows the panel and handle profile for a dual installation with a 51 mm filler strip at 110° door opening.

Interference of door panels with handles at maximum door opening may require the use of an optional 90° door stop available through your Sub-Zero dealer.

SUB-ZERO, INC.

PO BOX 44130

MADISON, WI 53744 USA

SUBZERO.COM

